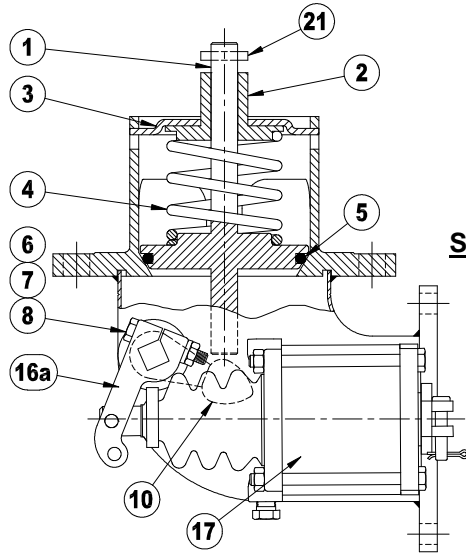


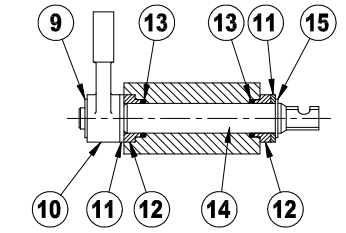
PARTS LIST

Emergency Valve

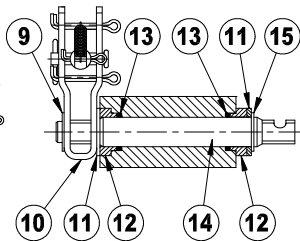
Stainless Steel



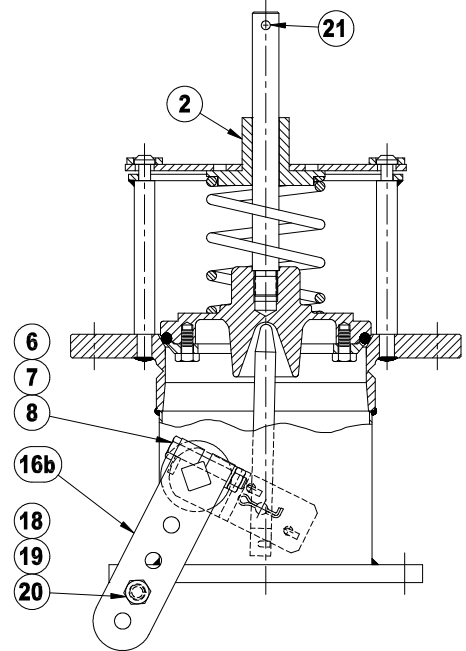
3in. Air Operated / Elbow



Stuffing Box Detail w/ Cam



Stuffing Box Detail w/ Straight Lift (4" only)



4in. Cable Operated / Straight

NO.	REQ.	DESCRIPTION	MATERIAL	PART NO.	
				3" VALVE	4" VALVE
1	1	Stem & O-Ring Holder	Stnls 316	18119SS	28141SS001
1a	1	O-Ring Retainer	Stnls 316	N.A.	27443SS
1b	4	Cap Screw 1/4 -28 x 1/2	Stnls 316	N.A.	9Q4174
2	1	Shaft guide	Stnls 316	75310SS	75310SS
3	1	Bonnet	Stnls 316	17888SS	27017SS
4	1	Spring	Stnls 316	17884SS	18222SS
5	1	Seat O-Ring	Tef-Sil	17890TS	19033TS
6	1	Cap Screw 1/4-20UNC x 1-1/2"	Steel - Zinc Plt.	9Q5947	9Q5947
7	1	Lockwasher 1/4"	Steel - Zinc Plt.	9Q5845	9Q5844
8	1	Hex Nut 1/4-20UNC	Steel - Zinc Plt.	9Q5806	9Q5806
9	1	Cam Retaining Ring	Stnls 316	9Q4933	9Q4933
10	1	Cam	Stnls 316	15086SS	N.A.
10a	1	Straight Lift Assembly	Stnls 316	N.A.	28137SS
11	2	Washer	Teflon	15432TF	15432TF
12	2	Retaining Sleeve	Stnls 316	18467SS	18467SS
13	2	Cam Shaft O-Ring	Tef-Sil	17946TS	17946TS
14	1	Cam Shaft	Stnls 316	18469SS	18469SS
15	1	Spacer Sleeve Retaining Ring	Stnls 316	9Q4970	9Q4970
16a	1	Lever Arm - Air Cylinder	Steel - Plt.	18366EY	18705MS
16b	1	Lever Arm - Cable	Steel - "E" Coated	10587EY	10587EY
17	1	Air Cylinder	Aluminum/Buna	AC35005ALB	AC35005ALB
18	1	Bolt 5/16-18UNC x 1" lg.	Steel - Zinc Plt.	9Q5829	9Q5829
19	1	Lockwasher 5/16"	Steel - Zinc Plt.	9Q5847	9Q5847
20	1	Hex Nut 5/16-18UNC Thd.	Steel - Zinc Plt.	9Q5808	9Q5808
21	1	Bail Pin 3/16 x 1" lg.	Stnls 316	9Q5901	9Q5901
22	1	Stuffing Box Boot	Neoprene	19937NE	19937NE
23	1	Cable Tie	Nylon	9W3384	9W3384

N.A. Not Applicable